

(19) World Intellectual Property Organization  
International Bureau



(43) International Publication Date  
17 May 2001 (17.05.2001)

PCT

(10) International Publication Number  
**WO 01/35621 A1**

(51) International Patent Classification<sup>7</sup>: **H04M 3/493**,  
3/436, 3/42

(US). STAFFORD, John, S.; 2616 S.E. Caruthers St.,  
Portland, OR 97214 (US).

(21) International Application Number: PCT/US00/31000

(74) Agent: YIP, Alex, L.; Kaye, Scholer, Fierman, Hays &  
Handler, LLP, 425 Park Avenue, New York, NY 10022  
(US).

(22) International Filing Date:  
9 November 2000 (09.11.2000)

(81) Designated States (*national*): AE, AG, AL, AM, AT, AU,  
AZ, BA, BB, BG, BR, BY, BZ, CA, CH, CN, CR, CU, CZ,  
DE, DK, DM, DZ, EE, ES, FI, GB, GD, GE, GH, GM, HR,  
HU, ID, IL, IN, IS, JP, KE, KG, KP, KR, KZ, LC, LK, LR,  
LS, LT, LU, LV, MA, MD, MG, MK, MN, MW, MX, MZ,  
NO, NZ, PL, PT, RO, RU, SD, SE, SG, SI, SK, SL, TJ, TM,  
TR, TT, TZ, UA, UG, UZ, VN, YU, ZA, ZW.

(25) Filing Language: English

(26) Publication Language: English

(30) Priority Data:  
09/441,656 12 November 1999 (12.11.1999) US

(84) Designated States (*regional*): ARIPO patent (GH, GM,  
KE, LS, MW, MZ, SD, SL, SZ, TZ, UG, ZW), Eurasian  
patent (AM, AZ, BY, KG, KZ, MD, RU, TJ, TM), European  
patent (AT, BE, CH, CY, DE, DK, ES, FI, FR, GB, GR, IE,  
IT, LU, MC, NL, PT, SE, TR), OAPI patent (BF, BJ, CF,  
CG, CI, CM, GA, GN, GW, ML, MR, NE, SN, TD, TG).

(71) Applicant: METRO ONE TELECOMMUNICA-  
TIONS, INC. [US/US]; 11200 Murray Scholls Place,  
Beaverton, OR 97007 (US).

Published:  
— With international search report.

(72) Inventors: ELSEY, Nicholas, J.; 6502 Apollo Road,  
West Linn, OR 97068 (US). KEPLER, Michael, A.; 5850  
S.W. 177th Avenue, Aloha, OR 97007 (US). ESSEX,  
Michael; 15075 S.W. Dawn Court, Tigard, OR 97224

[Continued on next page]

(54) Title: ENHANCED DIRECTORY ASSISTANCE SERVICE PROVIDING INDIVIDUAL OR GROUP DIRECTORIES

Help Logout Account Info My Directories

My Directories: Directory Edit: Contact Select

Directory: Qwetry

Contacts: There are 18 contacts in this directory

Search by First Name: [ ] Search by Last Name: [ ]  
New View All Search

Name	Home	Business	Mobile	
Monty Burns	(709) 153-2977	(335) 444-5555	(503) 555-1234	Undelete
Mr. Ed	(555) 987-4321			Delete
Karl Karl	(888) 123-4545	(888) 123-4545	(888) 123-4545	Delete
Mary Lamb	(709) 133-2977	(333) 444-5555	(503) 555-1234	Delete
Lenny Lenny	(888) 123-9999	(888) 123-4545	(888) 123-4545	Delete
Bat Man	(555) 444-6563			Delete
Spider Man	(828) 737-6454			Delete
Mighty Mouse	(709) 133-2977	(503) 555-1234		Delete
Apu Nahasapeemetalon	(709) 133-2977	(503) 456-7890	(503) 555-1234	Delete
Bart Simpson	(709) 133-2977	(333) 444-5555	(503) 555-1234	Delete
Now showing records 1-10 of 16				Next

(57) Abstract: Individuals and groups of individuals, such as corporations, are provided access to one or more private directories. The private directories can be edited by an administrator. Access to the private directories may be limited by administrators of the private directories. Access to private directories is provided via a connection to directory assistance providers. Directory service providers are capable of facilitating the administration of the private directories as well as connecting users of private directories to contacts in the private directories. Access to the private directory may be obtained via an internet connection.

WO 01/35621 A1



-- *With amended claims.*

*For two-letter codes and other abbreviations, refer to the "Guidance Notes on Codes and Abbreviations" appearing at the beginning of each regular issue of the PCT Gazette.*

ENHANCED DIRECTORY ASSISTANCE SERVICE  
PROVIDING INDIVIDUAL OR GROUP DIRECTORIES

---

5

**TECHNICAL FIELD**

The present invention relates to a system of providing enhanced directory assistance service to users of telecommunications services, including users of telephones (both  
10 wireless and wireline), computers and PDAs. In particular, the present invention relates to providing subscribers of telecommunications services access to directory information in their own individual or group private directories.

**BACKGROUND**

15 **Telephone Directory Assistance**

Traditionally, directory assistance has focused on providing telephone number directory information only. Typically, a directory assistance operator receives a request from a caller for the telephone number of a desired party. The operator locates the required number from a listing directory and either supplies the number to the caller or connects the  
20 caller to the desired party.

Each year, a growing number of people spend a significant amount of their time traveling for business or pleasure. Mobile communication and portable computers have created an opportunity for these people to conduct business and communicate while away from their homes or places of business. Wireless telephones have become a standard  
25 business tool in this environment. However, wireless telephone users may find current directory assistance services inconvenient or difficult to use. Such users are usually away from their general work environments (for example, traveling in a vehicle), and thus may not be able to remember, or make a note of, a desired number. Callers who would normally be able to call upon secretaries or personal assistants at their offices, may not have access  
30 to such assistance when traveling thereby not being able to access contact directories etc. The wireless telephone caller thus needs a comparable service to that which they would experience in an office environment. While improvements to telephone directory assistance have been made over the years, such systems do not fully address the needs of wireless telephone users.

35 The present assignee has also established a country-wide network of directory

assistance or call centers that are able to provide customers with nationwide directory assistance.

### **Private Directories**

5           While private directories for telephone users have existed for some time, such as those disclosed in US patent numbers 5,835,570 and 5,204,894, such systems do not address the needs of wireless telephone subscribers. They do not provide for private individual or private group directories. Furthermore they do not allow for the customization of the directory information by multiple parties and allow listed parties to be  
10           selectively reachable while keeping their numbers private.

          Existing Personal Information Management software and devices are often used to store private directory information, but are often not convenient or safe tools for providing directory information to mobile telephone users. Corporate employees in many cases must manually synchronize their personal and their corporate directories, and such private  
15           directories are often out of date or otherwise inaccurate, consuming what might otherwise be more productive time. Also most existing corporate directory management systems do not facilitate connectivity while keeping contact details, such as employee's home telephone numbers, private.

          Therefore, there is a need to provide subscribers more capable private directory  
20           services as well as greater connectivity in connection with these private directories services. While these needs exist and are described in the context of a wireless environment, the same problems arise in the wireline environment.

### **SUMMARY OF THE INVENTION**

25           The present invention is directed to providing a calling party the ability to create, administer, modify, and ultimately access, individual or group private directories. This service is intended for use by, but is not limited to, wireless telephone subscribers. Such services are also relevant to computer and PDA users as well as wireline telephone users.

          According to a preferred embodiment of the present invention, the system includes  
30           a nationwide wide area network (WAN) connecting a plurality of directory assistance centers to a server and directory listing database located in an information hub. Alternatively, the system may be connected on a public network or a virtual private

network.

A plurality of private directories are provided. The private directories may contain contact details or other information for an individual wireless telephone subscriber or for a group of subscribers, such as the employees of a business or the members of an  
5 organization. For example, a corporation may keep all employees contact details in a private directory database. The database owner, in our example the corporation, may set up access rights to such information. For example, different levels of access may be set up for different employees, allowing some employees access to the actual contact details, and others only the ability to place calls, without being supplied with the contact details of the  
10 party called. Access to the private database directories may be provided to users, administrators, owners and/or operators, with the required access rights, through a web browser interface or the like.

An embodiment of the present invention provides a method whereby a subscriber connects to directory assistance and is connected to a directory assistance service operator.  
15 The term "operator" in the present invention is understood to include entities that are capable of providing directory assistance in a telecommunication environment, including without limitation human operators, voice response/recognition capabilities, and web-enabled operator services. Where the subscriber requires access to a private directory database, an authentication process determines the subscriber's private directory access  
20 rights. This authentication process is advantageously automated to streamline the access process. Depending on these access rights, an operator may obtain a desired party's contact details and may either furnish these details to the subscriber or connect the subscriber to the desired party. Again, depending on the subscriber's access rights the caller may be permitted to administer a particular private directory.

25 The present invention also provides easy access to frequently requested numbers that may otherwise be unlisted, or require secrecy. Subscribers may access listings by names that are familiar to them. Companies or other organizations will be able to provide connectivity between employees/members without providing confidential information to the employee/member using the service. Directories may for example contain - personal,  
30 family, departmental, corporate, club or other association - contact details.

**BRIEF DESCRIPTION OF THE DRAWINGS**

The foregoing and additional features and advantages of the present invention will be more readily apparent from the following detailed description, which proceeds with reference to the accompanying drawings.

5           **FIG. 1** is a telephonic system according to a preferred embodiment including a wide area network;

**FIG. 2** illustrates a first graphical user interface of the present invention;

**FIG. 3** illustrates a second graphical user interface of the present invention;

**FIG. 4** illustrates a third graphical user interface of the present invention;

10          **FIG. 5** illustrates a fourth graphical user interface of the present invention;

**FIG. 6** illustrates a fifth graphical user interface of the present invention;

**FIG. 7** illustrates a sixth graphical user interface of the present invention;

**FIG. 8** illustrates a seventh graphical user interface of the present invention;

**FIG. 9** illustrates a eighth graphical user interface of the present invention;

15          **FIG. 10** illustrates a ninth graphical user interface of the present invention;

**FIG. 11** illustrates a tenth graphical user interface of the present invention;

**FIG. 12** illustrates a eleventh graphical user interface of the present invention;

**FIG. 13** illustrates a twelfth graphical user interface of the present invention;

**FIG. 14** illustrates a thirteenth graphical user interface of the present invention;

20          **FIG. 15** illustrates a fourteenth graphical user interface of the present invention;

**FIG. 16** illustrates a graphical user interface of another embodiment of the present invention;

**FIG. 17A** and **17B** are block diagrams depicting the hardware used to implement an embodiment of the present invention;

25          **FIG. 18** provides a detailed view of a voice server used in an embodiment of the invention;

**FIG. 19** provides a detailed view of a switching matrix platform used in an embodiment of the invention; and

**FIGS. 20A** and **20B** are flow charts depicting an embodiment of the method by which enhanced telephonic directory assistance is provided to a caller.

30

**DETAILED DESCRIPTION OF PREFERRED EMBODIMENTS**

As illustrated in **FIG. 1**, the system according to a preferred embodiment of the present invention includes a wide area network (WAN) **30** covering a wide coverage area. The WAN **30** can be an internet-based network such as the world wide web or can be a private intranet based network. According to a preferred embodiment, the WAN **30** covers an entire region (e.g. the entire eastern seaboard of the United States), an entire country (e.g. the United States) or group of countries (e.g. all of Canada, Mexico and the United States). The WAN **30** connects a plurality of operators dispersed throughout the wide coverage area in a plurality of directory assistance centers **21, 22, 23, 24, 25, 26** and **27**. Each of the directory assistance centers **21, 22, 23, 24, 25, 26** and **27** cover one or more regional coverage areas. One or more information hubs **10** are also included in the WAN **30**. An information hub **10** contains one or more servers **28** which are accessible by the operators in the system and one or more databases **20** on which a plurality of private directories are stored and maintained. Private directory may also be stored locally at one or more of the plurality of directory assistance centers. Private directories at different centers are synchronized. Synchronized databases provide necessary backup as well as support roaming customers.

As explained in greater detail below, a private directory contains contact information specifically tailored to the needs of an individual or corporation. For example, an individual may want to create two private directories. The first private directory may be established to contain all of the individual's personal contact information and the second private directory may be established to contain all of the individual's business contact information. This individual, whom is referred to as the owner of the private directory, may want to allow his/her spouse access to the personal private directory. The owner of the directory can allow the spouse only the right to view the personal private directory. In this instance, the spouse would be referred to as a "read only" user. Alternatively, the owner may want to allow his/her spouse to add his/her own contact information in the personal database. In this instance, the spouse would also be an administrator of the personal directory.

A corporation may also take advantage of the present invention by keeping the contact information of all of its employees in a private directory database. The database owner, in this example, the corporation, sets up access rights to such information. Again,

different levels of access may be set up for different employees. For example, some employees may be provided access to the actual contact details contained in the private database. In contrast, other employees may only have the ability to place calls, without being supplied with the contact details of the party called.

5           According to a preferred embodiment, a user or subscriber may connect to any private directory to which they have access over the internet. Over the internet, depending on his/her access rights, a user may view, edit, delete, augment or otherwise administer his/her private directory(ies). An advantage of the present invention is the added capability of allowing a user to connect to a private directory by communicating with an operator at a  
10           directory assistance center via any telecommunication media - wireless telephone, wireline telephone, voice over IP, personal digital assistance (PDA), computer modem, VPN, etc. The user or subscriber will be connected to an operator (understood to include entities that are capable of providing directory assistance in a telecommunication environment, including without limitation human operators, voice response/recognition capabilities, and web-  
15           enabled operator services). The operator, as explained in more detail below in connection with **FIG. 17A** and **17B**, are generally provided web browser capabilities, telephone facilities as well as fully-featured operator user interface applications which facilitate the searching, retrieval and administering of private directory databases **20**. It is well understood that directory assistance operators receive and respond to requests for directory  
20           assistance.

          A user may be a "read-only" user of a directory. In the instance of a read-only user, the user may view a directory but not change it. A user may be an "administrator" of directory. An administrator may not only view a directory, but also edit the directory. An administrator may also provision new read-only users as well as restrict previously  
25           provisioned read-only users. A user may also be an "owner" of a directory. An owner of a directory may, in addition to having access rights commensurate with an administrator (i.e., viewing and editing a directory, provision and deleted read-only users) also delete the directory from the system. In addition, an owner of a directory may also provision as well as delete administrators of directories.

30           An operator to whom the read-only user, administrator, and/or owner is connected is provided at least the same privileges with respect to the directory as the user to whom the operator is attached. Thus, if the operator is connected to a "read-only" user, the



operator may only view the directory but not change it. On the other hand, if the operator is connected to an owner, the operator has full capability with respect to the directory. An operator has additional access rights. These additional rights include changing web passwords if the caller has forgotten his or hers. Also, if a caller has changed telephone numbers, an operator can change the association of a private directory from the old telephone number to the new telephone number. This situation is frequently encountered when subscribers change wireless services. The operator also performs the function of provisioning the caller initially. When a caller seeks to establish a private directory initially, the caller contacts an operator. The operator confirms that carrier to which the caller subscribes has the ability to create private directories and, if so, records certain information of the caller including a password and email address to initially provision the caller on the system.

A user of the private directory system according to the present invention has great flexibility with which to create, delete, modify, administer and access its private directory(ies). Once logged onto the system, a list of existing directories to which the user has access are displayed. The user has the option to view an existing directory, edit an existing directory (assuming the user is either an administrator or owner of the directory), delete an existing directory (assuming the users is the owner of the directory). The user also has the option to add a new directory.

A user may access the various contacts listed in a private directory for only those directories for which the particular user has access authority. Each contact comprises a record having a plurality of fields into which contact information can be entered. Contact information includes the name, address, telephone number, wireless telephone number, fax number and other information. Typical contact information in a contact record is illustrated in FIG. 11, described below. An administrator and owner may create and edit contacts. In addition, an administrator and owner may mark particular contact information private. A read-only user may only access and search for non-private contact information.

In addition, the user is able to navigate through the private directory system. A plurality of navigation buttons are provided to the subscriber to enable the subscriber to link to other web pages in the system. For example, a "Help" button links a user to a GUI that contains help information about that current GUI. A "Logout" button allows the user to log out of a private directory database and return to the carrier's web site. The

“Account Info” button allows a user to link to a GUI where a user may update their account information (described below). A navigation heading (“My Directories” in this GUI) is located below the navigation buttons .

Access to the private database directories is provided to users, administrators, owners and operators, with the required access rights, through a user interface application or web browser interface. The web browser interface is usually either accessed by an operator via a private network or subscriber via the internet. The web browser interface utilizes a number of graphical user interfaces (GUIs), which may be a series of linked web pages, through which a user (assuming the user has the appropriate level of access) may create, delete, modify and/or access the private directories. The user interfaces may be implemented in HTML, JAVA, C++, Visual Basic or any other language appropriate for user interface development. An example of a set of graphical user interfaces implementing the present invention are illustrated in FIGs. 2-16. While this set is illustrative of the present invention, it is understood that the invention is not limited to the graphical user interfaces herein disclosed. Various changes, substitutions and modifications may be made thereto by those skilled in the art without departing from the spirit or scope of the invention.

Once a user has logged into a private directory database to which they have access, he is present with an interface similar to FIG. 2. The heading indicates where the current GUI is located in a series of nested GUIs. The user may click on the appropriate navigation heading to return to that heading’s GUI. A table containing multiple columns is provided under the navigation heading. The columns may include the name of each directory, the owner of each directory, the access rights (Permission) that the user has for each directory, a view/edit column which indicates what actions the user is entitled to take for each directory and a column indicating whether a user is entitled to delete any particular directory. The “Edit” button allows the user to link to a GUI where they may edit and/or view a particular directory, whereas the “View” button allows the user to link to a GUI where they may only view a particular directory. The “Delete” button allows the user to delete that particular directory. Finally the “New Directory” button allows the user to link to a GUI where they may create a new directory.

**FIG. 3** illustrates a second graphical user interface of the present invention. This GUI is displayed when a user attempts to log into a private directory database. In order to

log in, the user supplies a mobile phone number, user name (if a special alpha numeric user name has been issued to them by a directory owner for administrative purposes), a Mobile Identification Number (MIN) or the like, and a password. When a wireless subscriber calls directory assistance to access the private directory database system via an operator, advantageously the operator may automatically be provided with the callers MIN and therefore would only require a password from the caller (the dial-in procedure is discussed below). The user of the GUI then clicks on the "Login" button which validates the user and determines their permissions and directory associations. If the user has logged in via the internet, all subsequent web pages may be provided via a Secure Sockets Layer (SSL) connection.

**FIG. 4** illustrates a third graphical user interface of the present invention. This GUI is similar to the central frame illustrated in **FIG. 2**. This GUI displays a list of directories associated with the user. Typically, for a personal directory account the user will have just a single directory, of which they will be the owner. A user may create additional directories for his/her own use by clicking on the "New Directory" button, described above. For corporate directories, there may be multiple directories defined and the user may have owner, administrator or read-only access to a particular directory. If the user is a read-only user of a directory, the "View" button is displayed. If the user is an administrator of a directory, the "Edit" button is displayed. If the user is the directory owner, both the "Edit" and the "Delete" button are displayed.

**FIG. 5** illustrates a fourth graphical user interface of the present invention. This figure illustrates the "Account Info" GUI, which is linked to the "Account Info" link on the "My Directories" GUI illustrated in **FIGS 2** and **4**. This GUI allows the subscriber to update their account information such as their name and password. The user cannot change their MIN from this screen. This function can only be performed by an operator. If an operator is accessing the GUI, the MIN and user name fields may be edited.

**FIG. 6** illustrates a fifth graphical user interface of the present invention. This "Update directory information" GUI is displayed when the user clicks on the "New Directory" button on the "My Directory" GUI illustrated in **FIGS 2** and **4**. The user is prompted to supply a directory name. The user may also check a box if they would like the contact numbers, in this new directory, to be kept private. If checked, all numbers added to contacts of this directory are marked as private, which means that an authorized subscriber

to this directory can be connected to persons in the directory by an operator, but will not be provided with the number dialed. The user may also create a directory specific password, which if supplied, must be furnished by authorized administrators before they can edit the new directory. Such a password should preferably be different from the administrator's  
5 own personal password, for security reasons. The last edit time and person who last edited the directory are also displayed. A "Change Owner" button links the user to a GUI where the user can change the owner of the directory, i.e. if the user is creating the new directory for someone else (see **FIG. 9**). Finally clicking on the "Save" button will save the new directory details.

10 **FIG. 7** illustrates a sixth graphical user interface of the present invention. This "Directory information" GUI illustrates the GUI the user will link to when clicking on the "View" button next to a directory name on the "My Directories" GUI illustrated in **FIGS 2** and **4**. As the user has read-only access rights, they can only view the directory information, but may not edit the information. In an alternate embodiment, this GUI may  
15 also display details regarding the last edit time, last edited by, and whether the contact numbers are private or not (not shown).

**FIG. 8** illustrates a seventh graphical user interface of the present invention. This GUI illustrates the "Directory Edit" GUI. This GUI is displayed when an administrator or owner of the directory clicks on the "Edit" button in the "My Directory" GUI illustrated in  
20 **FIGS 2** and **4**. This page has three regions, namely "Contacts", "Subscribers" and "Update directory information". The "Contacts" region is where a user can search for and display contacts within a directory. A user can search by first name and/or by last name, by entering the name and clicking on the "Search" button. The user can also click on the "View All" button to display all the contacts in the directory. The results of either operation  
25 are displayed on the "Edit Directory - Contact Select" GUI illustrated in **FIG. 10**. A user may also click on the "New" button to add a new contact to the directory (see **FIG. 11**).

The "Subscribers" region is where a user can search for and display authorized subscribers to this directory (i.e. who has access to use/edit this directory). A user can either search by subscriber name or MIN. A user may also view all the subscribers by  
30 clicking on the "View All" button. The results are displayed on the "Edit Directory - Subscriber Select" GUI illustrated in **FIG. 12**. Again, a user may click on the "New" button to add a new subscriber to the directory. The "Update Directory Information"

region is where a user can change the directory name, mark all numbers as private and supply a directory specific password, similar to that illustrated in **FIG. 6**. The user may save the changes by clicking on the "Save" button. If the user is the directory owner, the "Change Owner" button is display which allows the user to transfer the ownership of the  
5 directory to another subscriber with access to that directory (see **FIG. 9**).

**FIG. 9** illustrates a eighth graphical user interface of the present invention. This GUI illustrates the "Transfer directory ownership" GUI that one would link to, from clicking on the "Change Owner" button illustrated in **FIGS 6** and **8**. To change ownership to another subscriber, the new subscriber's MIN is entered and the "Continue" button is  
10 clicked. The new owner must already be an administrator of the directory. The action may be canceled by clicking on the "Cancel" button.

**FIG. 10** illustrates a ninth graphical user interface of the present invention. This GUI displays the results of a contact search from the "Directory Edit" GUI illustrated in **FIG. 8**. This GUI is split into two regions. A first "Contacts" region is the same as the  
15 "Contacts" region illustrated in **FIG. 8** above. The second region features a table listing a number of records each including the name, home, business and mobile telephone numbers of each contact. Each name is hyperlinked, so when the user clicks on a name, either the "View Contact" or the "Edit Contact" (**FIG. 11**) GUIs are displayed (depending on whether the user is a read-only user or not). A user may also click on the "New" button to  
20 add a new contact to the directory. The "New" button is not seen in this figure but is displayed at the end of the directory table which can be accessed by clicking on the "Next" button which displays records 11 to 16. If the user has the access rights, they may also delete a contact record by clicking on the "Delete" button adjacent each record. A deleted record will not be deleted from the database immediately, but is instead shown in grayed-  
25 out text (as shown for "Monty Burns"). This allows the user to undelete the contact record within a fixed period of time.

**FIG. 11** illustrates a tenth graphical user interface of the present invention. When a user, with editing access rights, clicks on a contact's name (**FIG. 10**), the user is hyperlinked to this GUI. This GUI will also be displayed when a new contact is added to  
30 the directory by clicking on the "New" button illustrated in **FIGS 8** and **10**. The new contact GUI would look the same as this GUI but all the fields would be blank. The user may typically edit any of the fields. Furthermore the user can check a box next to any

number, to make that particular number private, as described above. The edited/updated GUI may then be saved by clicking on the “Save” button. The “Save & Add” button allows a user to save the updated record and add another record. The “Cancel” button allows the user to cancel the current update.

5           **FIG. 12** illustrates an eleventh graphical user interface of the present invention. This GUI displays the result of a subscriber search from the “Edit Directory” GUI, illustrated in **FIG. 8**. A first “Subscribers” region is the same as the “Subscribers” region illustrated in **FIG. 8** above. The second region features a table with a number of records each including mobile phone number, name and access level rights. Each access level  
10           hyperlinks to a GUI where the user can change the access level/rights for that particular subscriber (see **FIG. 14**). The user can also delete a subscriber by clicking on the “Delete” button. This does not delete the subscriber from the database, but simply disassociates him or her from this directory. The user can also associate other subscribers to this directory by clicking on the “New” button, at which point the “New Subscriber” GUI will be displayed,  
15           as illustrated in **FIG. 13**.

**FIG. 13** illustrates a twelfth graphical user interface of the present invention. This GUI is for creating a new subscriber, and is linked to, from the “New” button displayed in **FIG. 12**. The MIN of the subscriber may be entered into the empty field and the  
20           “Continue” or “Cancel” buttons clicked to either enter a new subscriber or cancel the current operation. If the subscriber does not already exist in the database, the user will be prompted to supply their details, such as the subscribers first name, last name and access level. This is displayed in **FIG. 14**, which illustrates a thirteenth graphical user interface of the present invention.

**FIG. 15** illustrates a fourteenth graphical user interface of the present invention.  
25           This GUI is displayed to the user when the user logs out of the system by clicking on the “Logout” button. A login hyperlink is provided to return to the Login GUI (see **FIG. 3**).

          The operator may automatically dial a contact number by clicking on a phone icon displayed next to each number in any of the above-mentioned GUIs (not shown). This function also allows operators to connect to numbers that have recently been added to the  
30           database.

**FIG. 16** illustrates a graphical user interface of another embodiment of the present invention. Operators in the call centers may have access to both the web browser interface

discussed in **FIGS 2 to 15**, or may utilize another interface as illustrated in the GUI displayed in **FIG. 16**. If the operator utilizes the web browser interface, the GUIs may have less graphics, and some additional functionality to that described above, in order to allow an operator to make provision for adding new subscribers, changing mobile numbers, etc. Preferably, the operator will not use the web browser interface for searching the private directory databases and connecting callers to numbers listed therein. The operator, preferably will utilize the interface of **FIG. 16.**, wherein a search is conducted by various search criteria, including name, company, city, street, state, department or number type. Search results are displayed in the results panel at the bottom of the GUI. The operator has the ability when displaying a detailed result of a search to automatically dial a call without dialing the number or reciting the number to the caller. Furthermore, the operator will inherit the access rights of the caller they are talking to, i.e. if the caller has privileges to edit a directory, then so will the operator. The operator has additional access rights as described above.

A border may be added to any border of a web page (top, bottom, right, left). The border is advantageously customized to an individual corporate customer's/sponsor's requirements thereby branding, promoting and/or advertising the customer/sponsor. An application server determines which outside border to apply to the web page. Such a decision may be based upon the last web page that the subscriber came from to reach the private database. This is accomplished by adding a link from the corporate customer's web site to the login page (described below). The login page is hosted by the directory assistance server. Alternatively, the decision as to which outside border to apply may be based upon the identification of the user obtained, for example, from the user's MIN. This information may be obtained at login. Referring to **FIG. 2**, a perimeter frame or border is provided around at least part of the perimeter of each GUI, and a central frame, within the perimeter frame, containing the private directory database GUI interfaces according to the present invention. The perimeter frame may be customized to an individual carrier's requirements, such as for example inserting the carrier's logo and/or links into the frame. The GUIs described in **FIGS 3-16** are illustrative of the central frame content. It is understood that each GUI may include the perimeter frame displayed in **FIG. 2**. These GUIs may be hosted by a central server (described in relation to **FIGS 17A and 17B**) or by a number of servers dispersed throughout the WAN. In the case where a wireless

subscriber is utilizing the web browser interface, the database server determines which perimeter frame to apply to each GUI, based upon the web page from which the subscriber is linked. An operator's interface may not include the perimeter frame. A carrier may therefore add a link from their own web site to the GUI Login page of this interface.

5           With reference to **FIGS 17A and 17B**, a directory assistance center **100** according to a preferred embodiment of the present invention includes a switching matrix platform **114** connected to one or more external T1 voice connections **112** and one or more corresponding T1 data connections **113** from caller networks. Switching matrix platform **114** is also connected via T1 communication links to a channel bank **116** for coupling to a plurality of operator telephones **118**. It should be appreciated that other transport methods  
10 are supported such as voice over IP.

Each operator is equipped with a terminal **120** that includes a monitor, mouse and keyboard with associated dialing pad. The operator terminals are coupled over a data network **124** to a database server **126**, allowing an operator to access the data in database  
15 server **126** through the operator terminals **120**. The database server **126** contains standard telephone directory information.

The data network **124** further connects to a voice response unit (VRU) **130** and a switching matrix host computer **128** (also known as a PBX host), which in turn is connected to the switching matrix platform **114** by switch data link **122**. The data network  
20 **124** may, but not necessarily, also further connect to a private directory database **136** and a caller profile database **134**. The caller profile database **134** stores detailed information about a subscriber. Such details may include the subscribers name, contact details, most recent calls made, past logged activity, etc.

In one embodiment, the VRU **130**, database server **126**, and switching matrix host  
25 **128** have redundant systems (not shown), which can operate as either back-up systems in the event of primary system failure, or provide load-sharing in a master-slave relationship with the primary system.

The data network **124** consists of, but is not limited to, a local area network (LAN) **127**, best seen in **FIG. 17B**. The LAN **127** may connect to a plurality of other similar  
30 remote LANs **129** to form a wide area network (WAN) **115** (reference numeral **30** in **FIG. 1**). The LANs **127** and **129** are connected to one another via routers or other WAN connections **125**. The WAN may furthermore be connected by a frame relay connection (a



telecommunication service designed for cost-efficient data transmission for intermittent traffic between local area networks (LANs) and between end-points in a WAN). It should be appreciated by one skilled in the art, that databases 126, 134 and 136 may be located at each LAN or at a single central LAN.

5 A subscriber's mobile or wireless telephone, computers, PDAs or other telecommunication devices **144** communicates with a wireless telephone network **146** which in turn is connected to a carrier network node **142** and carrier switching center **140**.

The T1 voice connections **112**, or voice links, provide connection between the directory assistance center's switching matrix platform **114** and the carrier's switching center **140**, through which incoming directory assistance calls are received. The T1 voice  
10 connections **112** further provide connection to the network over which outgoing calls are placed (which network may be different than that used for incoming traffic). Similarly, T1 data connections **113**, or data links, provide a signaling connection between the directory assistance center's node and the carrier's SS7 network node **142**, through which incoming  
15 and outgoing signaling messages are transmitted. (Common Channel Signaling System No. 7 (SS7) is a global standard for telecommunications defined by the International Telecommunication Union (ITU) Telecommunication Standardization Sector (ITU-T). The standard defines the procedures and protocol by which network elements in the public switched telephone network (PSTN) exchange information over a digital signaling network  
20 to effect wireless and wireline call setup, routing and control). The directory assistance node is contained within the switching matrix platform **114**, but one with skill in the art will appreciate that the directory assistance node could also be a physically distinct component. If the outgoing call is being placed over a different network than that on which the incoming call was received, a second data connection to the outgoing network will be  
25 established.

The switching matrix platform **114** is described in detail in currently copending United States patent application 08/816,921, which is incorporated herein by reference. In general, referring to **FIGS. 18 and 19**, operation of switching matrix platform **114** is governed by computer-readable instructions stored and executed on switch matrix host  
30 computer **128**. In one embodiment of the invention, switching matrix platform **114** is an Excel LNX 2000 and switch data link **122** is a 38.4 kb serial link; in another embodiment, switch data link is an Ethernet link. Switching matrix platform **114** includes expandable

central processing unit ("EXCPU") **304** and/or matrix central processing unit ("MXCPU") **304**. EXCPU/MXCPU **304** serves as an interface for switching matrix platform **114** to switching matrix host computer **128** (via switch data link **122**). EXCPU/MXCPU **304** and other components of switching matrix platform **114** communicate through shared  
5 communication path **302**, commonly called a "midplane." In the currently-described embodiment, midplane **302** utilizes a time division multiplexing ("TDM") method of sharing a common pathway. Thus, a plurality of data (other than SS7 messaging) and/or voice streams can be interlaced onto the single path, separated by time.

Another board-level component of switching matrix platform **114** is multi-frequency  
10 digital signal processor ("MF DSP") unit **310**, which includes four single in-line memory module ("SIMM") packagings. Each SIMM packaging is comprised of four DSP arrays. Each DSP array is composed of multiple, illustratively sixteen, programmable DSPs. The DSPs can be programmed or reprogrammed to function as, among other things, call  
15 progress analyzers ("CPA"), call progress generators ("CPG"), multi-frequency ("MF") receivers or transmitters, dual-tone multi-frequency ("DTMF") receivers or transmitters, or conference units, depending upon the demand placed on directory assistance center **100** (FIG. 17A) and switching matrix platform **114** for each corresponding function.

It will be recognized by one skilled in the art that a variety of types of, or even multiple instances of, switching matrix platform **114** may be incorporated into a telephone  
20 network or directory assistance center **100** without exceeding the scope of this invention. In the preferred embodiment, the switching matrix platform supports digital T1 telephone circuits and includes digital signal processing circuitry which provides the requisite conference capability (described below), SS7 message generation/detection capabilities, and dual tone multi frequency (DTMF) and multi frequency (MF) tone generation/detection  
25 capabilities. With respect to the SS7 functionality, the switching matrix platform acts as a signaling node, also known as a service switching point (SSP), as discussed above.

The voice response unit (VRU) **130** is incorporated into the system to play the constantly repeated parts of an operator's speech, namely the various greetings and signoffs (or closings), and the caller's desired telephone number where requested. Not only does  
30 this system provide a voice-saving and monotony-relief function for the operators, it performs a "branding" function (i.e. the pre-recorded messages incorporate the name of the telephone company through which the caller was routed to the directory assistance service),

and it also reduces the amount of time an operator is actually connected to a caller. The VRU may also contain a voice recognition system for receiving verbal input from a party connected to the VRU.

VRU 130 is connected via the data network 124 to the switching matrix host 128 (to which it acts as a slave processor) and via one or more T1 spans to the switching matrix platform 114 itself. Each VRU 130, when more than one is employed in directory assistance center 100, connects to switching matrix platform 114 via a separate voice server link. VRU 130 consists of a general purpose computer plus one or more voice cards (a first voice card 402 is depicted in FIG. 18), which serve as the interface between VRU 130 and the T1 span to switching matrix platform 114. Voice card 402 monitors and controls communications over the T1 span; its capabilities include telephone tone detection and generation, voice recording and playback, and call progress analysis. Therefore, very similar to switching matrix platform 114, VRU 130 is capable of detecting connection status conditions, detecting caller keypresses, and generating tones. Although the figures depict VRU 130 distinct from database server 126, in alternative embodiments they are coterminous.

VRU 130 also includes typical computer components such as central processing unit 404, data storage unit 406, and bus 410 for transferring voice and data signals. VRU 130 may also contain a voice recognition subsystem (not shown) for receiving verbal input from a party connected to the voice server.

At appropriate stages in a call progression, the switching matrix host 128 initiates a voice path between the VRU and the switching matrix platform such that the caller, or the caller and the operator, are able to hear whatever pre-recorded speech is played on that circuit by the VRU. The switching matrix host 128 then instructs the VRU, via the data network, what type of message to play, passing data parameters that enable the VRU to locate the message appropriate to the call state, the service-providing telephone company, and the operator. The recording density used is high enough to provide a good enough quality of message playback that most users of the system should be unaware they are listening to a recording.

The databases 126, 134 and 136 provide operators with the means to search for a caller's desired party, and determine the appropriate contact details. In the preferred embodiment, the databases provide the capability to search not just by name and address,

but also by type of goods/services and/or geographical region, or by any other attribute in the caller record, including phone number. The databases may be SQL relational databases. SQL (Structured Query Language) is a standard interactive and programming language for getting information from and updating a database. Queries take the form of a command  
5 language that lets you select, insert, update, find out the location of data, and so forth. Databases 134 and 136 may also be located at a centralized location, as mentioned above. Databases 126, 134 and 136 are separated for ease of explanation, but may be incorporated into a single database.

Typically, search results are present in alphabetical order. However, to promote  
10 variability in the presentation of data, the results of the database search may be presented on the operator's terminal 120 without having been alphabetized prior to display, but rather are presented in the order located by the database search engine.

The database software itself is conventional. The presently preferred best mode is to use a relational database, such as is available from Sybase. However, much simpler  
15 software can alternatively be used, such as DBase 4.

### **Method of Operation**

Callers of a particular telephone company simply dial the access digits established for directory assistance by that company. Examples of typical access digits are "411",  
20 "\*\*555" and "555-1212." The participating telephone company's own switching system will then reroute the call to the directory assistance service center 100 (via a T1 channel), where it appears as an incoming call. In a SS7 system, the telephone company or wireless carrier transmits call set-up information associated with the call to the directory assistance center from the telephone company's signaling network node (also via a T1 channel) to the  
25 directory assistance center. For purposes of illustration, a SS7 call initiation procedure will be described, which is utilized not only in routing a caller's call to the directory assistance center, but also by the directory assistance center in connecting the caller to the desired number.

The phone company (as the originating SSP) first transmits an Initial Address  
30 Message (IAM) to reserve an idle trunk circuit from the originating switch to the destination switch (in this case, switching matrix platform 114). The destination switch examines the dialed number, determines that it serves the called party and that the line is

available for ringing. The destination switch then transmits an Address Complete Message (ACM) to the originating switch to indicate that the remote end of the trunk has been reserved. The destination switch rings the called party line and sends a ringing tone over the trunk to the originating switch. When the originating switch receives the ACM, it connects  
5 the calling party's line to the trunk to complete the voice circuit from the calling party to the called party. The calling party hears the ringing tone on the voice trunk. When the called party picks up the phone, the destination switch terminates the ringing tone and transmits an Answer Message (ANM) to the originating switch. The originating switch then verifies that the calling party's line is connected to the reserved trunk and, if so, initiates  
10 billing.

During the course of the call, if the calling party hangs up first, the originating switch sends a Release Message (REL) to release the trunk circuit between the switches. Upon receiving the REL, the destination switch disconnects the trunk from the called party's line, sets the trunk state to idle, and transmits a Release Complete Message (RLC)  
15 to the originating switch to acknowledge the remote end of the trunk circuit. When the originating switch receives the RLC, it terminates the billing cycle and sets the trunk state to idle in preparation for the next call. On the other hand, if the called party hangs up first, or if the line is busy, the destination switch sends an REL to the originating switch indicating the release cause, such as a normal release or busy condition. When the  
20 originating switch generates the RLC, it terminates the billing cycle and sets the trunk to idle.

Automatic Call Distribution (ACD) logic is used to queue (if necessary) and distribute calls to operators in the order in which they are received, and such that the call traffic is distributed evenly among the operators. In other embodiments, other distribution  
25 logic schemes are utilized, such as Skills-Based Routing or a priority scheme for preferred callers. The queue is maintained by switching matrix host **128**.

When a call is connected to an operator, switching matrix host **128** directs the VRU  
130 (also conferenced into the call) to play a greeting message, using a message pre-recorded by the connected operator. Both the operator and the caller hear the message,  
30 which incorporates the name of the service or company to which the caller is a subscriber (in other words, the call is "branded"). The message ends with a prompt, thus cuing the caller to volunteer what information they are seeking.

When the automated greeting is complete, the VRU is disconnected, and the operator and the caller are left connected by a 2-way speech path. From this point, the caller is interacting with a live operator. In the event that the VRU is non-functional (for whatever reason), the incoming call is connected to the operator and a short “trill,” or “zip” tone is played to indicate that a caller is on the line. (Note that once operators are logged in to the system, they wear headsets, and have their telephones **118** permanently off-hook. Their telephones do not ring when a call is presented.) The operator then speaks a greeting and prompt in real time, instead of the VRU playing a message.

#### 10 **Private directory database**

**FIGS. 20A and 20B** are flow charts depicting an embodiment of the method by which an enhanced directory assistance service is provided to a caller. A caller dials directory assistance **200**. The call is connected to a directory assistance service operator or a voice response unit (VRU) **202**. The system automatically indicates that the caller is subscribed to one or more private directories. The system furthermore automatically provides the operator with the callers mobile identification number (MIN) and details of the caller’s past activity. Depending on the caller’s access rights, the caller may or may not be able to access a particular private directory. A caller may also not want to access a directory **206**, but rather requires other directory assistance.

20 A caller has the option of making a call **208**, obtaining directory information **210**, or administering **212** a particular private directory.

Should the caller select to make a call **208**, or require private directory information **210**, the operator will search the private directory **214** for a caller’s desired party. The operator may **218** or may not **216** locate the desired party. If the operator locates the desired party **218**, the operator may provide the caller with the desired party’s contact details depending on the callers access rights **220**. The operator may then place the call **222**, disconnect the caller or provide other services **234**.

Should the caller select to administer the private directory, **212**, the operator prompts the caller for a password **207** and verify the caller’s access rights. Upon verification, the operator will administer the private directory **228** by following the caller’s verbal commands. Again access to administer the private directory depends on the caller’s access rights. The caller may therefore retrieve, edit, store or delete any details in the

private directory, if the caller has the authority to do so.

The system may generate billing data **226** to be used to bill the client, generate reports **230** for a system administrator activities **232**.

A system administrator may also administer or maintain the system via a secure  
5 WAN/LAN connection, **121** of **FIG. 17B** and as described in **FIGS 2 to 16**, or direct dial-up computer connection (not shown).

A callers access rights are determined by the owner of a private directory. Access rights may have many levels. For example, one may have access to a particular private directory as a whole, access to only particular groups or subgroups of information within  
10 the directory, or one may only be able to have calls placed for them without the operator ever divulging a party's contact details.

The system may further do away with a live operator and may be voice or "touch tone signal" (DTMF) driven.

The caller profile database **134** of **FIG. 17A** may include an updated list of most  
15 recently and/or frequently called numbers. The system may also provide for data interchange between a private directory and various Personal Information Management software and/or devices. The present invention is capable of achieving full, two-way synchronization between private directories and PIM products. Another application may include a dialer for connecting a caller after looking up one of the caller's numbers over the  
20 Internet.

According to the present invention a private directory may be administered in a number of ways. A caller may telephone directory assistance and ask the operator to administer the private directory database by following the caller's instructions. (System will advantageously bill the subscriber for this operator activity.) The wireless subscriber  
25 may directly administer a private directory by direct dial-up to the applicable system server or through the wireless subscriber's LAN at the wireless subscriber's place of business. Preferably the wireless subscriber may administer the directory database via the internet, using the first interface described in relation to **FIGS 2 to 16**. The wireless subscriber may also synchronize his/her personal digital assistant (PDA) with a private directory using any  
30 of the above-mentioned methods. Similarly, corporate directory products, such as Lotus Notes, may be synchronized with private directories according to the present invention.

**Additional features**

Data extracted from the system may be used for internal reports or for external customer billing.

5 The system and method of the present invention has been described. Clearly, there are still other alternatives and equivalents that are within the spirit and intent of the invention and will occur to a person skilled in the art. Accordingly, it is intended that the scope of the invention be limited only by the claims that follows and all equivalents thereto.



**What we claim:**

1. A method of providing enhanced directory assistance, said method comprising the steps of:
  - 5 receiving a communication from an individual or group requesting access to a private directory contained in a database;
  - connecting the communication to a provider of directory assistance;
  - identifying from a plurality of access levels which level of access is associated with this individual or group;
  - 10 determining whether the level of access associated with the individual is equal to or greater than the access requested by the individual or group;
  - performing an action by the directory assistance provider based upon the request for access to the private directory when the level of access associated with the individual is equal to or greater than the access requested by the individual or group.
  - 15
2. The method as in claim 1, wherein a first level of access includes a right to view a particular private database.
3. The method as in claim 2, wherein a second level of access includes a right to edit a particular private database.
- 20 4. The method as in claim 3, wherein a third level of access includes a right to delete a particular private database.
- 25 5. The method as in claim 1, further comprising the step of connecting to one or more communication links capable of receiving a communication from an individual or group originated from a wireless telephone.
- 30 6. The method as in claim 1, further comprising the step of connecting to one or more communication links capable of receiving a communication from an individual or group originated from a landline telephone.

7. The method as in claim 1, further comprising the step of connecting to one or more communication links capable of receiving a communication from an individual or group originated as voice over IP.
- 5 8. The method as in claim 1, further comprising the step of connecting to one or more communication links capable of receiving a communication from an individual or group originated as an input to a website.
9. The method of claim 1 wherein said private directory contains a contact information  
10 associated with a corporation.
10. The method of claim 1 wherein said performing step further comprises the step of locating directory details of at least one desired party in said private directory.
- 15 11. The method of claim 10, further comprising the step of placing a call to said desired party.
12. A method of providing enhanced directory assistance, the method comprising the steps of:
- 20 receiving a communication from an individual or group requesting access to contact information in a private directory contained in a database, the individual or group having a level of access to the private directory selected from a plurality of access levels;
- connecting the communication to a provider of directory assistance;
- 25 providing to the directory assistance provider at least the level of access to the private directory possessed by the individual or group;
- performing an action by the directory assistance provider based upon the request for access to the private directory.
13. The method as in claim 12, wherein the performing step includes connecting an  
30 individual to a contact identified in the private database.
14. The method as in claim 13, wherein the directory assistance provide connected the

individual to the contact without providing details of the contact contained in the private directory.

15. A method of providing directory assistance, said method comprising the steps of:  
5 receiving a communication from an individual or group;  
connecting the individual or group to a provider of directory assistance;  
establishing the individual's or group's access rights to at least one private directory  
in a computer database, wherein said access rights are set by an administrator of said  
private directory;  
10 obtaining at least one request from said individual or group;  
performing an action based on said request and said access rights.
16. A method as in claim 15, further comprising the step of administering the directory.
- 15 17. A method as in claim 16, wherein the administering step includes the step of adding  
information to the private directory.
18. A method as in claim 16, wherein the administering step includes the step of editing  
the private directory.  
20
19. A method as in claim 16, wherein the administering step includes the step of  
deleting information from the private directory.
20. A method as in claim 16, wherein the administering step includes the step of  
25 uploading directory data to the private directory.
21. A method as in claim 20, wherein directory data is uploaded via the internet.

**AMENDED CLAIMS**

[received by the International Bureau on 17 April 2001 (17.04.01);  
original claims 1-21 replaced by new claims 1-50 (6 pages)]

1. A system for maintaining a database comprising:
  - an interface for receiving signals in establishing a communication connection with a
  - 5 user, one or more databases associated with the user being identified based on the received signals;
  - a receiver for receiving from the user a request for taking an action concerning a selected one of the databases through the established communication connection, the action being associated with an access right requirement;
  - 10 a processor for identifying an access right of the user concerning the selected database; and
  - a device for taking the action when the access right of the user meets the access right requirement.
- 15 2. The system of claim 1 wherein the database includes information concerning an individual.
3. The system of claim 1 wherein the database includes information concerning a group.
- 20 4. The system of claim 1 wherein the action includes reading the selected database.
5. The system of claim 1 wherein the action includes editing the selected database.
6. The system of claim 1 wherein the action includes deleting the selected database.
- 25 7. The system of claim 1 wherein the communication connection includes a telephone connection.
8. The system of claim 1 wherein the communication connection includes an Internet
- 30 connection.

9. A system for maintaining a directory through a provider of directory assistance comprising:

an interface for receiving from a user a request for taking an action concerning the directory, the user being allocated a level of access to the directory selected from a plurality of access levels, the provider being accorded at least the level of access to the directory allocated to the user; and

a processor for determining whether the provider is allowed to take the action based on the level of access accorded to the provider, the action being initiated by the provider if it is determined that the provider is allowed to take the action.

10

10. The system of claim 9 wherein the directory includes information concerning an individual.

11. The system of claim 9 wherein the directory includes information concerning a group.

15

12. The system of claim 9 wherein the provider includes an operator in a directory assistance center.

20

13. The system of claim 9 wherein the level of access allocated to the user includes a right to read the directory.

14. The system of claim 9 wherein the level of access allocated to the user includes a right to delete the directory.

25

15. The system of claim 9 wherein the level of access allocated to the user includes a right to edit the directory.

16. The system of claim 9 wherein the level of access allocated to the user includes a right to allocate to another user a level of access to the directory.

17. The system of claim 9 wherein the request is received through a communications connection.
18. The system of claim 17 wherein the communications connection includes a telephone  
5 connection.
19. The system of claim 17 wherein the communications connection includes an Internet connection.
- 10 20. A system for providing a communications service using a database comprising:  
an interface for receiving from a user a request for communicating with a desired  
party;  
a first device for searching the database for contact information concerning the desired  
party, the contact information being associated with an access right requirement;  
15 a second device for initiating a communications connection between the user and the  
desired party;  
a processor for identifying an access right of the user concerning the contact  
information; and  
a controller for allowing disclosure of the contact information to the user when the  
20 access right of the user satisfies the access right requirement.
21. The system of claim 20 wherein the communications service includes a voice  
communications service.
- 25 22. The system of claim 20 wherein the database includes a directory.
23. The system of claim 22 wherein the communications service includes a directory  
assistance service.
- 30 24. The system of claim 20 wherein the access right of the user includes a right to learn  
the contact information.

25. The system of claim 20 wherein the communication connection includes a telephone connection.
26. A method for maintaining a database comprising:
- 5 receiving signals in establishing a communication connection with a user;  
identifying one or more databases associated with the user based on the received signals;  
receiving from the user a request for taking an action concerning a selected one of the databases through the established communication connection, the action being associated  
10 with an access right requirement;  
identifying an access right of the user concerning the selected database; and  
taking the action when the access right of the user meets the access right requirement.
27. The method of claim 26 wherein the database includes information concerning an  
15 individual.
28. The method of claim 26 wherein the database includes information concerning a group.
- 20 29. The method of claim 26 wherein the action includes reading the selected database.
30. The method of claim 26 wherein the action includes editing the selected database.
31. The method of claim 26 wherein the action includes deleting the selected database.  
25
32. The method of claim 26 wherein the communication connection includes a telephone connection.
33. The method of claim 26 wherein the communication connection includes an Internet  
30 connection.

34. A method for maintaining a directory through a provider of directory assistance comprising:

receiving from a user a request for taking an action concerning the directory, the user being allocated a level of access to the directory selected from a plurality of access levels,  
5 the provider being accorded at least the level of access to the directory allocated to the user;

determining whether the provider is allowed to take the action based on the level of access accorded to the provider; and

10 initiating the action by the operator if it is determined that the provider is allowed to take the action.

35. The method of claim 34 wherein the directory includes information concerning an individual.

15 36. The method of claim 34 wherein the directory includes information concerning a group.

37. The method of claim 34 wherein the provider includes an operator in a directory assistance center.

20

38. The method of claim 34 wherein the level of access allocated to the user includes a right to read the directory.

25 39. The method of claim 34 wherein the level of access allocated to the user includes a right to delete the directory.

40. The method of claim 34 wherein the level of access allocated to the user includes a right to edit the directory.

30 41. The method of claim 34 wherein the level of access allocated to the user includes a right to allocate to another user a level of access to the directory.



42. The method of claim 34 wherein the request is received through a communications connection.
43. The method of claim 42 wherein the communications connection includes a telephone  
5 connection.
44. The method of claim 42 wherein the communications connection includes an Internet connection.
- 10 45. A method for providing a communications service using a database comprising:  
receiving from a user a request for communicating with a desired party;  
searching the database for contact information concerning the desired party, the  
contact information being associated with an access right requirement;  
initiating a communications connection between the user and the desired party;  
15 identifying an access right of the user concerning the contact information; and  
allowing disclosure of the contact information to the user when the access right of the  
user satisfies the access right requirement.
46. The method of claim 45 wherein the communications service includes a voice  
20 communications service.
47. The method of claim 45 wherein the database includes a directory.
48. The method of claim 47 wherein the communications service includes a directory  
25 assistance service.
49. The method of claim 45 wherein the access right of the user includes a right to learn  
the contact information.
- 30 50. The method of claim 45 wherein the communication connection includes a telephone  
connection.

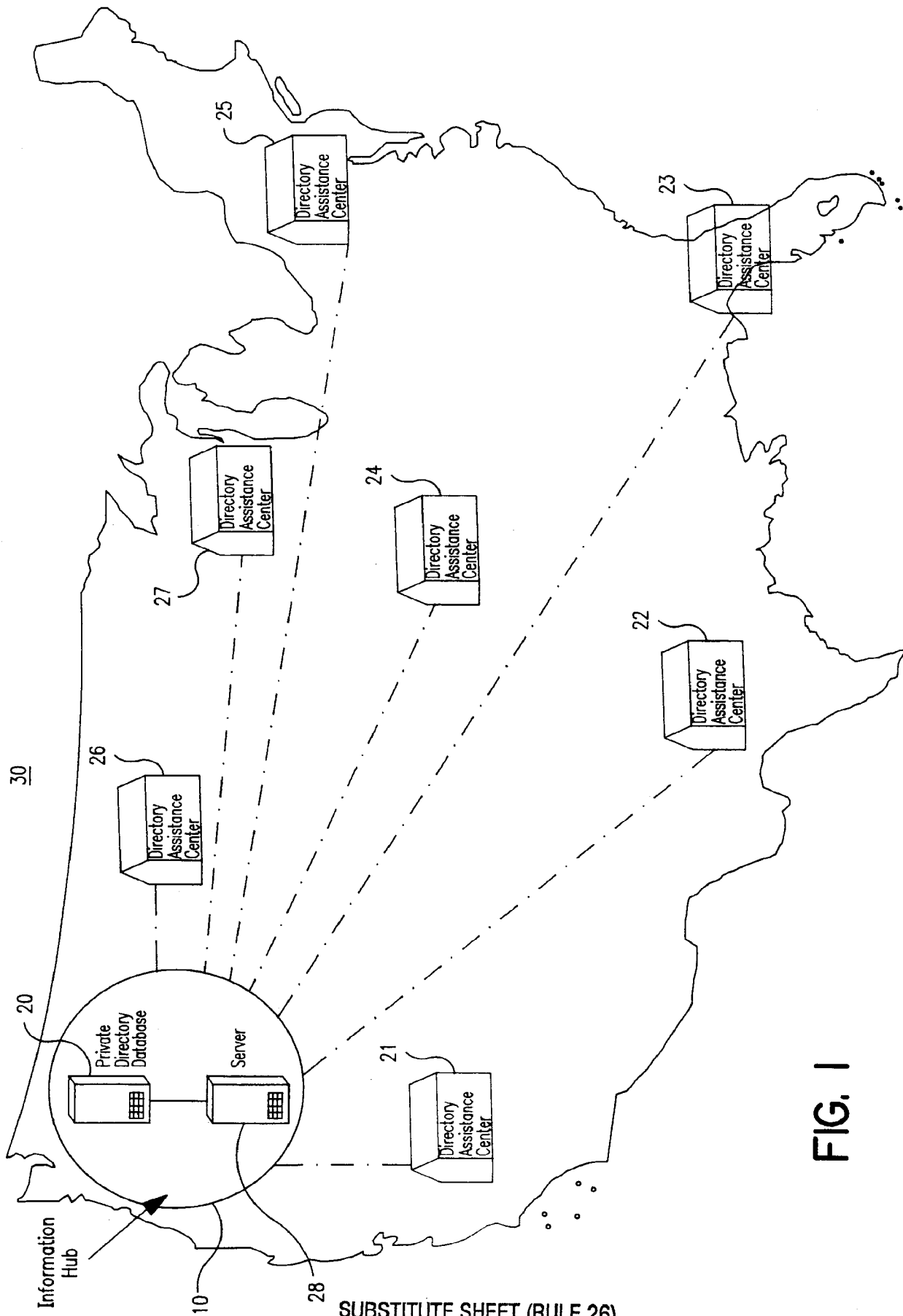


FIG. 1

SEARCH • CUSTOMER CENTRAL • SITE MAP • CORPORATE • ORDER NOW!

MetroDex

My Directories

Shad Stafford: You belong to 4 MetroDex Directories. The table below shows you the directories you are associated with. Click the View or Edit button to access a directory.

<u>Name</u>	<u>Owner</u>	<u>Permission</u>	<u>View/Edit</u>	<u>Delete</u>
Baseball Team	Alyson Rushforth	Read Only	<input type="button" value="View"/>	
Foobar	Alyson Rushforth	Administrator	<input type="button" value="View"/>	
Qwetry	Shad Stafford	Owner	<input type="button" value="View"/>	<input type="button" value="Delete"/>
Sales	Tracy	Administrator	<input type="button" value="View"/>	
			<input type="button" value="New Directory"/>	

Phones & Features  
 Smart Reasons  
 Coverage Maps  
 Go to Your Region  
 Send PCS Email  
 Win a Phone!

Home

CARRIER

[Phones&Features](#)|[SmartReasons](#)|[CoverageMaps](#)|[GoToYourRegion](#)  
[SendPCSEmail](#)|[WinPhone](#)|[Search](#)|[CustomerCentral](#)  
[SiteMap](#)|[CorporateInformation](#)|[OrderNow!](#)

[Legal Notices](#) Copyright © 1999 Pacific Bell Wireless and Intelligent  
 Information Incorporated All Rights Reserved

FIG. 2

### MetroDex Login

Please provide you're username and password. If you do not have an account yet or if you have forgotten your password, use your mobile phone to call Information, the operator there will help you set up your account.

Enter your mobile phone number (10-digit) or username:

Password:

FIG. 3

My Directories

Shad Stafford: You belong to 4 MetroDex Directories. The table below shows you the directories you are associated with. Click the View or Edit button to access a directory.

<u>Name</u>	<u>Owner</u>	<u>Permission</u>	<u>View/Edit</u>	<u>Delete</u>
Baseball Team	Alyson Rushforth	Read Only	<input type="button" value="View"/>	
Foobar	Alyson Rushforth	Administrator	<input type="button" value="Edit"/>	
Qwetry	Shad Stafford	Owner	<input type="button" value="Edit"/>	<input type="button" value="Delete"/>
Sales	Nancy Leino	Administrator	<input type="button" value="Edit"/>	
			<input type="button" value="New Directory"/>	

FIG. 4

Account Info

Update account information for Shad Stafford

Mobile Phone Numbers (503) 524-1286

Username \* shad

First name \*

Last name \*

Password \*

Re-enter Password \*

\* indicates required fields

FIG. 5

[Help](#) [Logout](#) [Account Info](#) [My Directories](#)

[My Directories: Directory Edit](#)

### Updating New Directory Directory

Update directory information

Name:

Contact numbers are private:

Directory Specific Password:

Last edit time:

Last edited by:

**FIG. 6**

[Help](#) [Logout](#) [Account Info](#) [My Directories](#)

[My Directories: Directory View](#)

### Viewing Baseball Team Directory

Directory information

Name: Baseball Team

Owner: Alyson Rushforth

Your access level: Read Only

**FIG. 7**

Help Logout Account Info My Directories

My Directories: Directory Edit

### Updating Qwetry Directory

Contacts: There are 18 contacts in this directory

Search by First Name:  Search by Last Name:

Subscribers: There are 13 people subscribed to this directory

Search by Name

Search by Mobile Phone Numbers:

Update directory information

Name:

Contact numbers are private:

Directory Specific Password:

Last edit time: 1999/07/30 14:30:12 PDT

Last edited by: Shad Stafford

## FIG. 8

Help Logout Account Info My Directories

My Directories: Directory Edit

### Directory: New Directory

Transfer directory ownership.

Enter the mobile phone number of the person you want to be the new owner of this directory. This person must already be an administrator of this directory.

Mobile Phone Number:

## FIG. 9

My Directories: [Directory](#) [Edit](#): [Contact](#) [Select](#)

### Directory: Qwetry

Contacts: There are 18 contacts in this directory

Search by First Name: 
 Search by Last Name:

Name	Home	Business	Mobile	
<a href="#">Monty Burns</a>	(709) 153-2977	(335) 444-5555	(503) 555-1234	<input type="button" value="Undelete"/>
<a href="#">Mr. Ed</a>	(555) 987-4321			<input type="button" value="Delete"/>
<a href="#">Karl Karl</a>	(888) 123-4545	(888) 123-4545	(888) 123-4545	<input type="button" value="Delete"/>
<a href="#">Mary Lamb</a>	(709) 133-2977	(333) 444-5555	(503) 555-1234	<input type="button" value="Delete"/>
<a href="#">Lenny Lenny</a>	(888) 123-9999	(888) 123-4545	(888) 123-4545	<input type="button" value="Delete"/>
<a href="#">Bat Man</a>	(555) 444-6563			<input type="button" value="Delete"/>
<a href="#">Spider Man</a>	(828) 737-6454			<input type="button" value="Delete"/>
<a href="#">Mighty Mouse</a>	(709) 133-2977	(503) 555-1234		<input type="button" value="Delete"/>
<a href="#">Apu Nahasapeemapetala</a>	(709) 133-2977	(503) 456-7890	(503) 555-1234	<input type="button" value="Delete"/>
<a href="#">Bart Simpson</a>	(709) 133-2977	(333) 444-5555	(503) 555-1234	<input type="button" value="Delete"/>
Now showing records 1-10 of 16				<input type="button" value="Next"/>

FIG. 10

7/16

Update Contact Information

First Name:  Middle Name:  Last Name:

Company Name:

Company Department:

Title:

Address 1:

Address 2:

City:

State:

Postal Code:

Country:

Home 1	<input type="text" value="5035551234"/>	x	<input type="text"/>	Private:	<input checked="" type="checkbox"/>
Home 2	<input type="text"/>	x	<input type="text"/>	Private:	<input type="checkbox"/>
Mobile 1	<input type="text" value="5038079414"/>	x	<input type="text"/>	Private:	<input type="checkbox"/>
Mobile 2	<input type="text"/>	x	<input type="text"/>	Private:	<input type="checkbox"/>
Business 1	<input type="text" value="5036439500"/>	x	<input type="text"/>	Private:	<input type="checkbox"/>
Business 2	<input type="text"/>	x	<input type="text"/>	Private:	<input type="checkbox"/>
Fax 1	<input type="text" value="5036439600"/>	x	<input type="text"/>	Private:	<input type="checkbox"/>
Fax 2	<input type="text"/>	x	<input type="text"/>	Private:	<input type="checkbox"/>
Email 1	<input type="text" value="nick@metro1.com"/>			Private:	<input type="checkbox"/>
Email 2	<input type="text"/>			Private:	<input type="checkbox"/>
Pager 1	<input type="text"/>	x	<input type="text"/>	Private:	<input type="checkbox"/>
Pager 2	<input type="text"/>	x	<input type="text"/>	Private:	<input type="checkbox"/>
Other 1	<input type="text"/>			Private:	<input type="checkbox"/>
Other 2	<input type="text"/>			Private:	<input type="checkbox"/>
Other 3	<input type="text"/>			Private:	<input type="checkbox"/>
Other 4	<input type="text"/>			Private:	<input type="checkbox"/>

FIG. 11



My Directories: [Directory Edit](#): [Subscriber Select](#)

### Directory: Qwetry

Subscribers: There are 13 people subscribed to this directory

Search by Name

Search by Mobile Phone Numbers:

<u>Cell Phone Number</u>	<u>name</u>	<u>Access Level</u>	<u>Delete</u>
(503) 233-7966		Read Only	<input type="button" value="Delete"/>
(503) 330-5420	Nick Elsey	Read Only	<input type="button" value="Delete"/>
(503) 524-1286	Shad Stafford	Owner	<input type="button" value="Delete"/>
(503) 955-1234		Read Only	<input type="button" value="Delete"/>
(541) 344-6342		Administrator	<input type="button" value="Delete"/>
(555) 555-1234	Nancy Leino	Administrator	<input type="button" value="Delete"/>
(646) 555-1234	John Hall	Read Only	<input type="button" value="Delete"/>
(787) 555-4321	Joe Smith	Read Only	<input type="button" value="Delete"/>
(828) 555-4321	Foo Bar	Administrator	<input type="button" value="Delete"/>
(971) 444-3232	Schmedly & Schmedly	Read Only	<input type="button" value="Delete"/>
Now showing records 1-10 of 13			<input type="button" value="Next"/>

FIG. 12

My Directories: [Directory Edit](#): [Subscriber Select](#): [Subscriber Edit](#)

FIG. 13

### Creating Subscriber for Directory: Qwetry

Create a Subscriber

Enter the Mobile Phone Number of the Person that you want to add as a subscriber . If you need to add an administrator to your directory who doesn't have a mobile phone, you may enter a username for them here.

Enter Subscriber Information

First name: \*

Last name: \*

Mobile Phone Number: \* (503) 233-7966

Access level: \*  ▾

FIG. 14

Logout

Logout

Thankyou for using this service, you are now completely logged out.

If you wish to return to using this service, you must login again.

FIG. 15

EDA4.3.06		Mobile ID		Dialled		Last Dialed		Status		Restrictions	
5:32 PM		0:00									
MetroDex Search											
Name		Metro One Telecommunications									
Nick Elsey		EDA4									
Company		Metro One									
Metro One											
City		Beaverton									
Street		[REDACTED]									
State											
Department											
Number Type		You are using EDA4.0.build number 101									
Name		Company		Type		Street		City			
F1-Gg MetroDex		F2-Fwd EWP		F3-Back EDA		F4-System Dial		F5-No SB		F6-CC w/SB	
F7-CC w/d SB		F8-		F9-Login		F10-SMS		F11-Movies		F12-Suspend	

FIG. 16

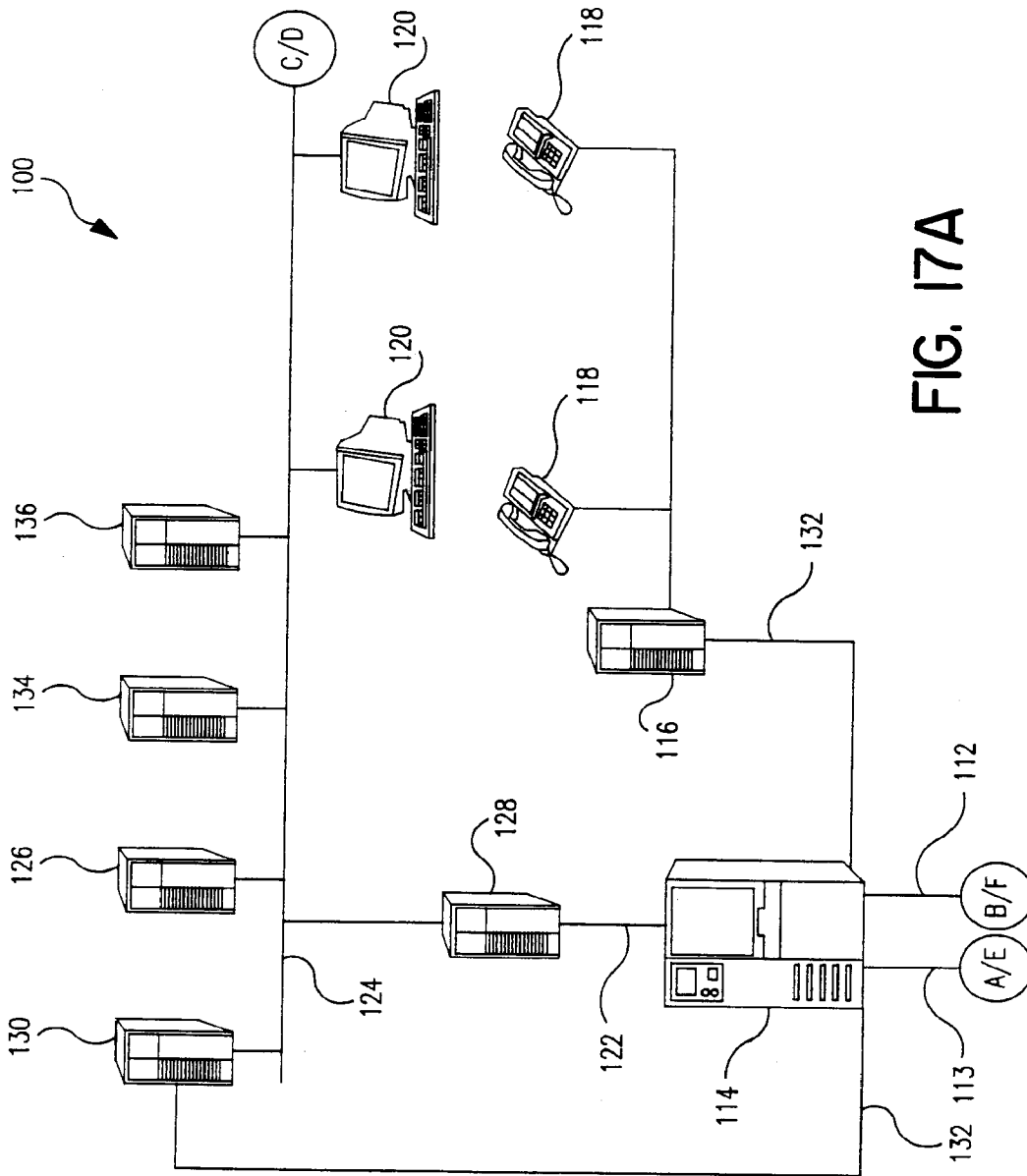


FIG. 17A

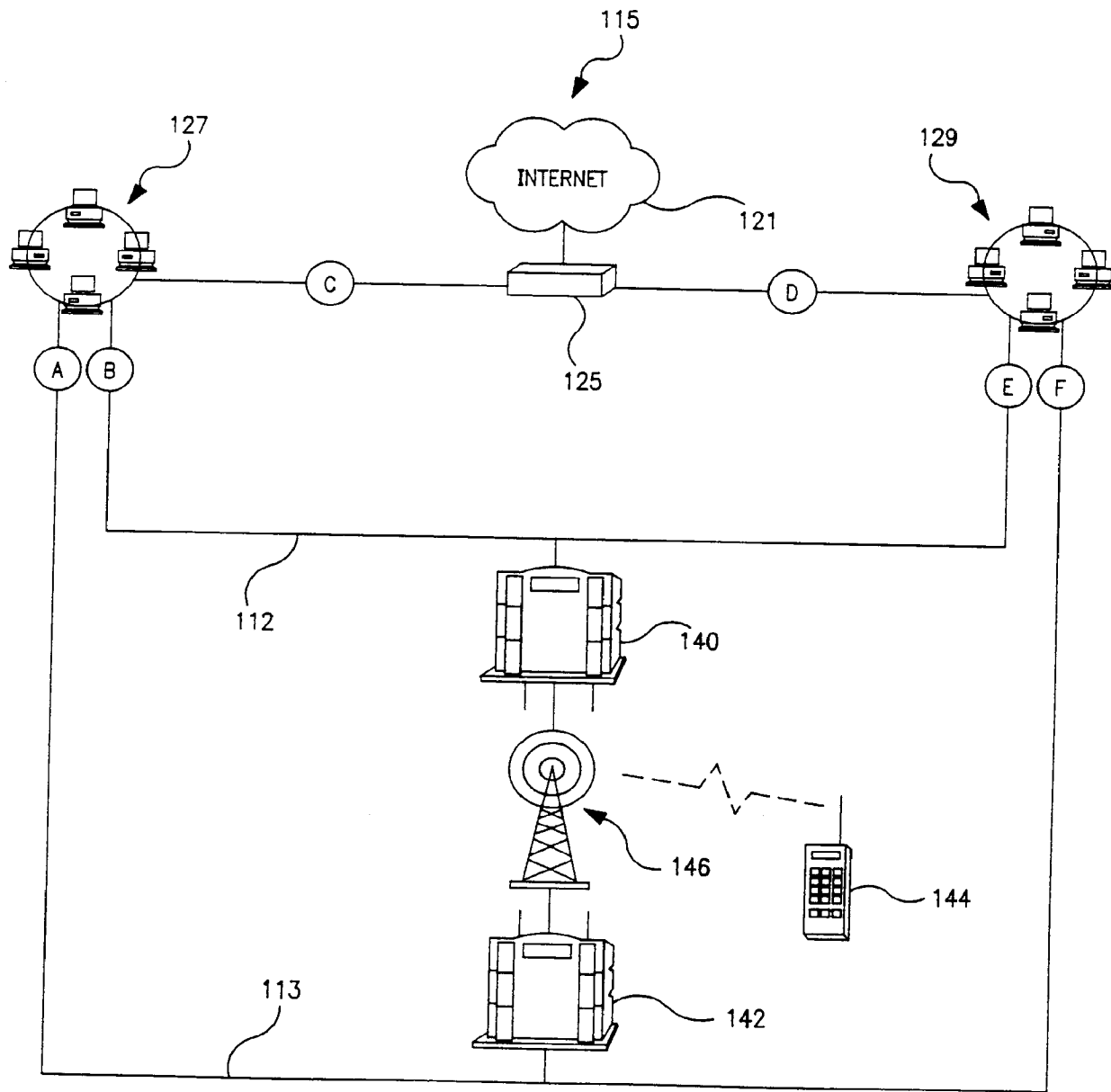


FIG. 17B

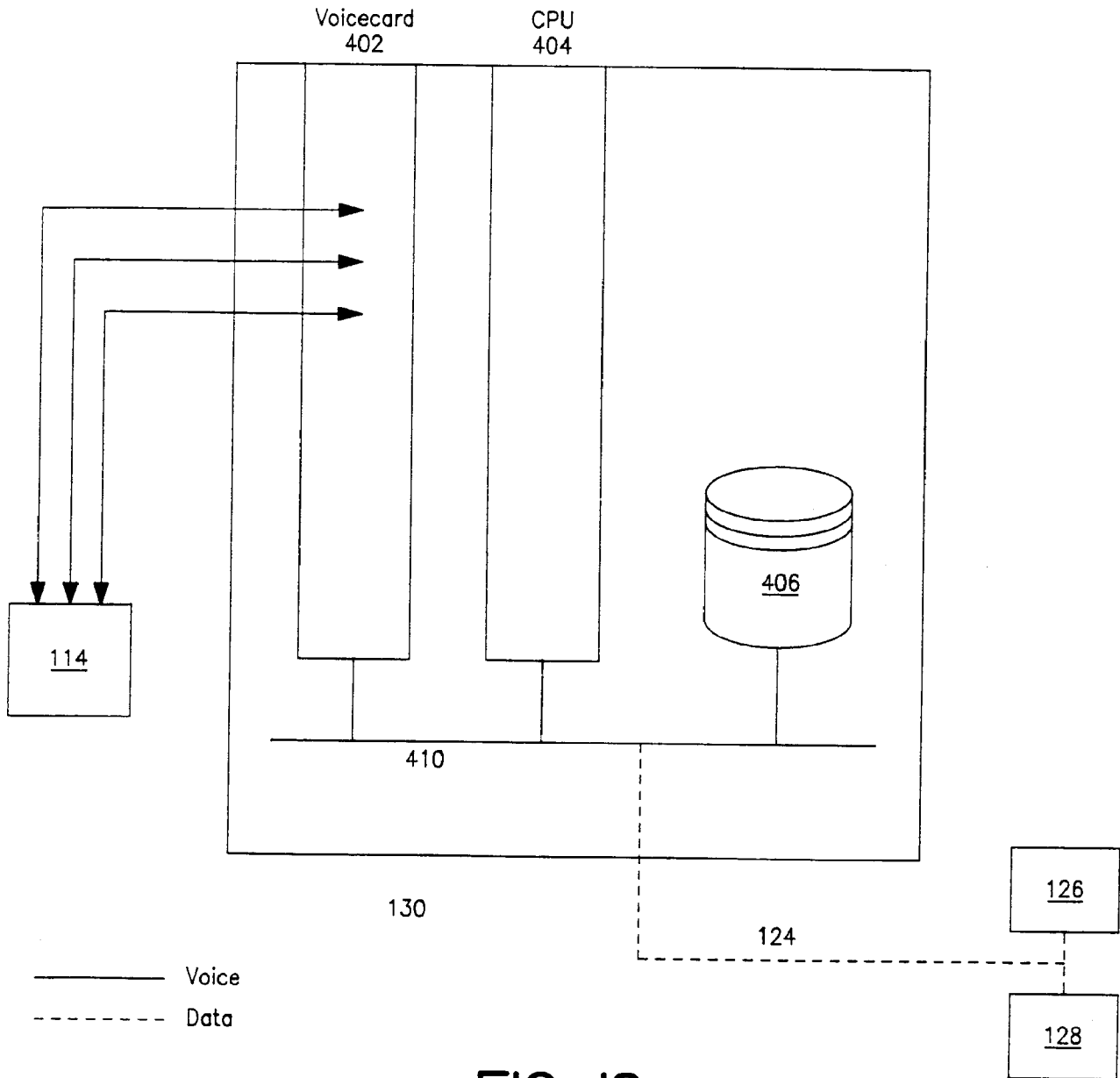


FIG. 18

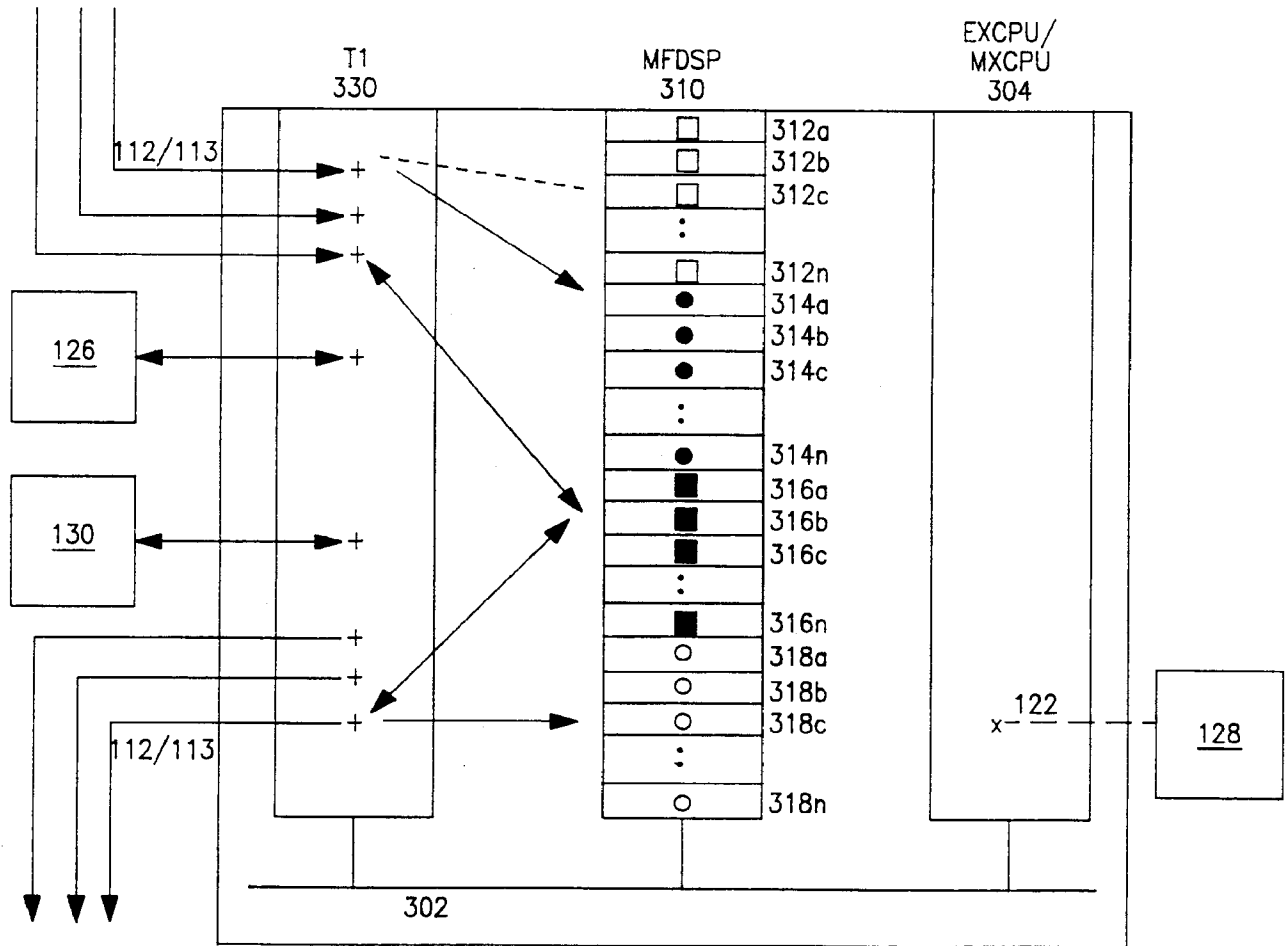


FIG. 19

- Voice
- Data
- ..... Ringback

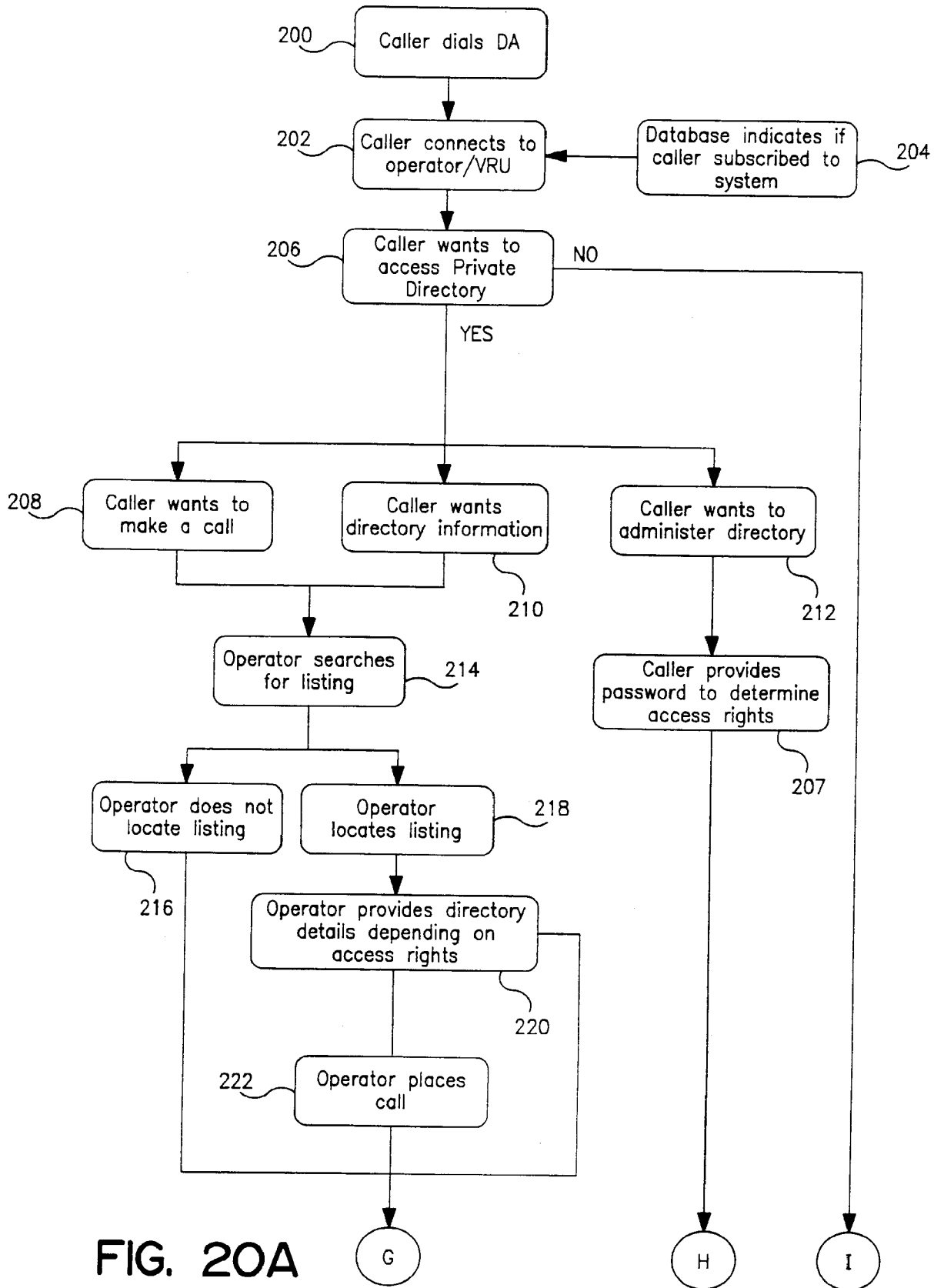


FIG. 20A



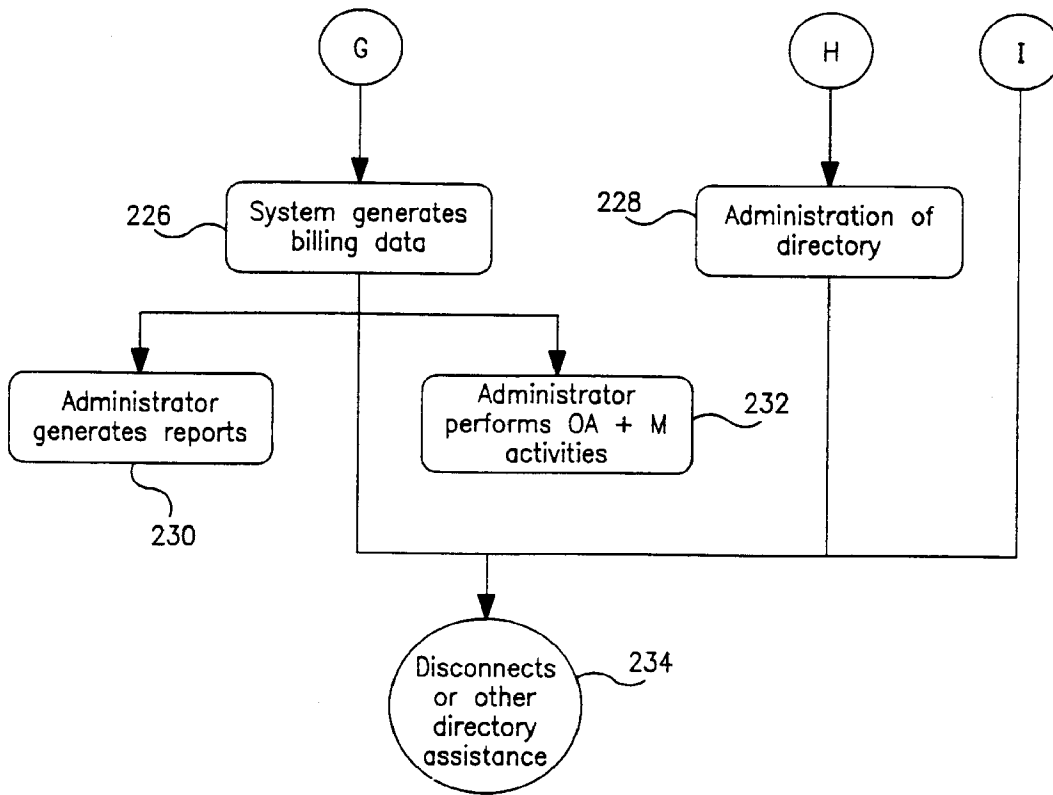


FIG. 20B

# INTERNATIONAL SEARCH REPORT

International Application No  
PCT/US 00/31000

**A. CLASSIFICATION OF SUBJECT MATTER**  
 IPC 7 H04M3/493 H04M3/436 H04M3/42

According to International Patent Classification (IPC) or to both national classification and IPC

**B. FIELDS SEARCHED**  
 Minimum documentation searched (classification system followed by classification symbols)  
 IPC 7 H04M

Documentation searched other than minimum documentation to the extent that such documents are included in the fields searched

Electronic data base consulted during the international search (name of data base and, where practical, search terms used)  
 EPO-Internal

**C. DOCUMENTS CONSIDERED TO BE RELEVANT**

Category *	Citation of document, with indication, where appropriate, of the relevant passages	Relevant to claim No.
A	US 5 835 570 A (WATTENBARGER BLAKE L) 10 November 1998 (1998-11-10) column 3, line 19 -column 6, line 5 figures 1,2	1, 12, 15
A	US 5 966 437 A (TIMMINS TIMOTHY A ET AL) 12 October 1999 (1999-10-12) column 4, line 46 -column 7, line 26 figure 1	1, 12, 15
A	US 5 479 491 A (HERRERO GARCIA JOSE E ET AL) 26 December 1995 (1995-12-26) column 6, line 11 -column 7, line 48 column 15, line 1 -column 16, line 10 column 16, line 54 -column 17, line 17	1, 12, 15
	-/--	

Further documents are listed in the continuation of box C.

Patent family members are listed in annex.

\* Special categories of cited documents :

- \*A\* document defining the general state of the art which is not considered to be of particular relevance
- \*E\* earlier document but published on or after the international filing date
- \*L\* document which may throw doubts on priority claim(s) or which is cited to establish the publication date of another citation or other special reason (as specified)
- \*O\* document referring to an oral disclosure, use, exhibition or other means
- \*P\* document published prior to the international filing date but later than the priority date claimed

- \*T\* later document published after the international filing date or priority date and not in conflict with the application but cited to understand the principle or theory underlying the invention
- \*X\* document of particular relevance; the claimed invention cannot be considered novel or cannot be considered to involve an inventive step when the document is taken alone
- \*Y\* document of particular relevance; the claimed invention cannot be considered to involve an inventive step when the document is combined with one or more other such documents, such combination being obvious to a person skilled in the art.
- \*Z\* document member of the same patent family

Date of the actual completion of the international search  <b>9 March 2001</b>	Date of mailing of the international search report  <b>19/03/2001</b>
--	---

Name and mailing address of the ISA European Patent Office, P.B. 5818 Patentlaan 2 NL - 2280 HV Rijswijk Tel. (+31-70) 340-2040, Tx. 31 651 epo nl, Fax: (+31-70) 340-3016	Authorized officer  <b>Gkeli, M</b>
--	---

# INTERNATIONAL SEARCH REPORT

International Application No  
PCT/US 00/31000

C.(Continuation) DOCUMENTS CONSIDERED TO BE RELEVANT		
Category °	Citation of document, with indication, where appropriate, of the relevant passages	Relevant to claim No.
P,A	US 6 134 319 A (BURG FREDERICK MURRAY ET AL) 17 October 2000 (2000-10-17) column 3, line 14 -column 4, line 56 column 6, line 22 -column 7, line 53 claims 1,12 -----	1,12,15

# INTERNATIONAL SEARCH REPORT

Information on patent family members

International Application No

PCT/US 00/31000

Patent document cited in search report		Publication date	Patent family member(s)	Publication date
US 5835570	A	10-11-1998	NONE	
US 5966437	A	12-10-1999	US 5873032 A US 5797092 A CA 2178402 A US 5943417 A US 6064874 A CA 2189588 A US 6035190 A US 5995826 A CA 2129302 A US 5737700 A	16-02-1999 18-08-1998 07-01-1997 24-08-1999 16-05-2000 03-05-1997 07-03-2000 30-11-1999 29-10-1995 07-04-1998
US 5479491	A	26-12-1995	US 5187735 A	16-02-1993
US 6134319	A	17-10-2000	CA 2240673 A	27-12-1998